



Compatibility Letter

Publication Date	1 st August 2024					
Mounting company	CWF GmbH					
CWF version	Vario Smart Vario KS					
Scope	This document is to confirm the compatibility between CWF products and GCL products according to the testing results in GCL lab.					
Details						
Module Type	Module DS Version	Module Dimensions	Height (Dim X)*	Clamp Location**	Overhang of Frame***	Test Load
NT10/72GDF	H2	2278*1134*30	31mm	A1=200 ± 25mm	≤600mm	+2700pa/-2400pa
NT12/66GDF	H0	2384*1303*33	34mm	A2=700 ± 25mm		+2800pa/-2400pa

*Dimension X refers to Figure 1; **A1 and A2 refers to Figure 2; *** refers to Figure 2.

Disclaimer

The content of this Compatibility Letter(hereinafter referred as the "CL") is only for reference by the customers of the undersigned company/companies of this Letter(hereinafter referred, each respectively, as the "Undersigned") for commercial consulting purpose and shall not be regarded as part of any sales contract or any expressed or implied binding obligations or commitments without the consent of all the Undersigned.

All relevant values in the CL are based on the sample test results. Samples test complies with IEC61215-2:2016(MQT 16) under theoretical lab environment and such test results shall only be referred to such theoretical environment test conditions.

The specific project design and mechanical load requirements shall be calculated and evaluated subject to the design conditions of the project land, temperature, geographical conditions, specific product types of modules and trackers, inverters and other conditions of the specific project.

Always refer to the latest issued CL by all the undersigned and customers. This Letter shall not incur any liability on the Undersigned at any time or under any circumstance.

Technical Support Dept
协鑫集成科技股份有限公司
GCL System Integration Technology Co., Ltd.
GCL System Integration Technology Co., Ltd (GCLSI)
签字人 Cathy Ma
Signature

Reference Figures:

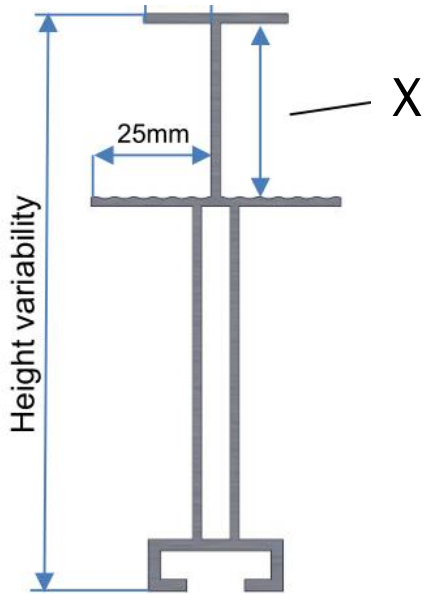
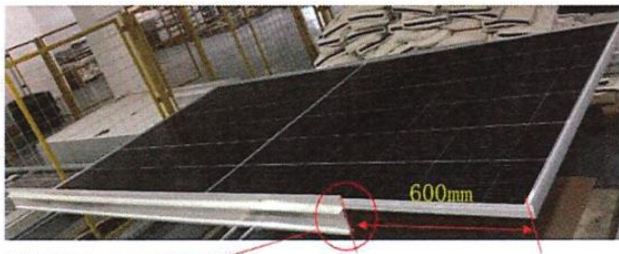
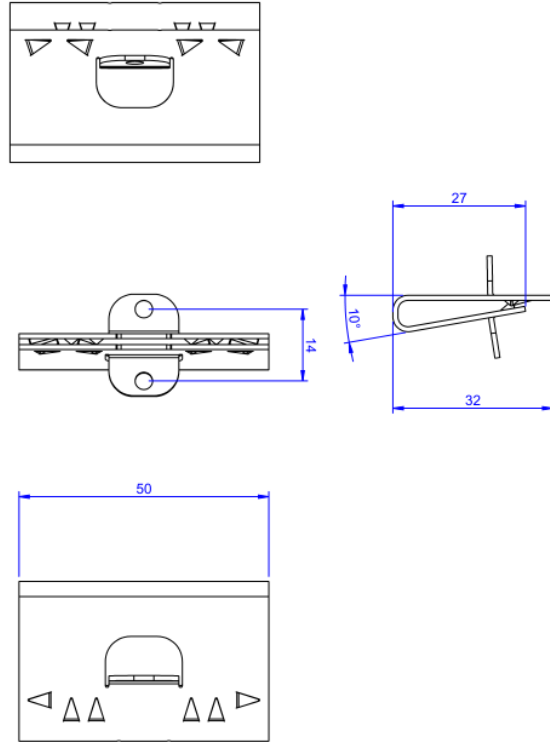


Figure 1

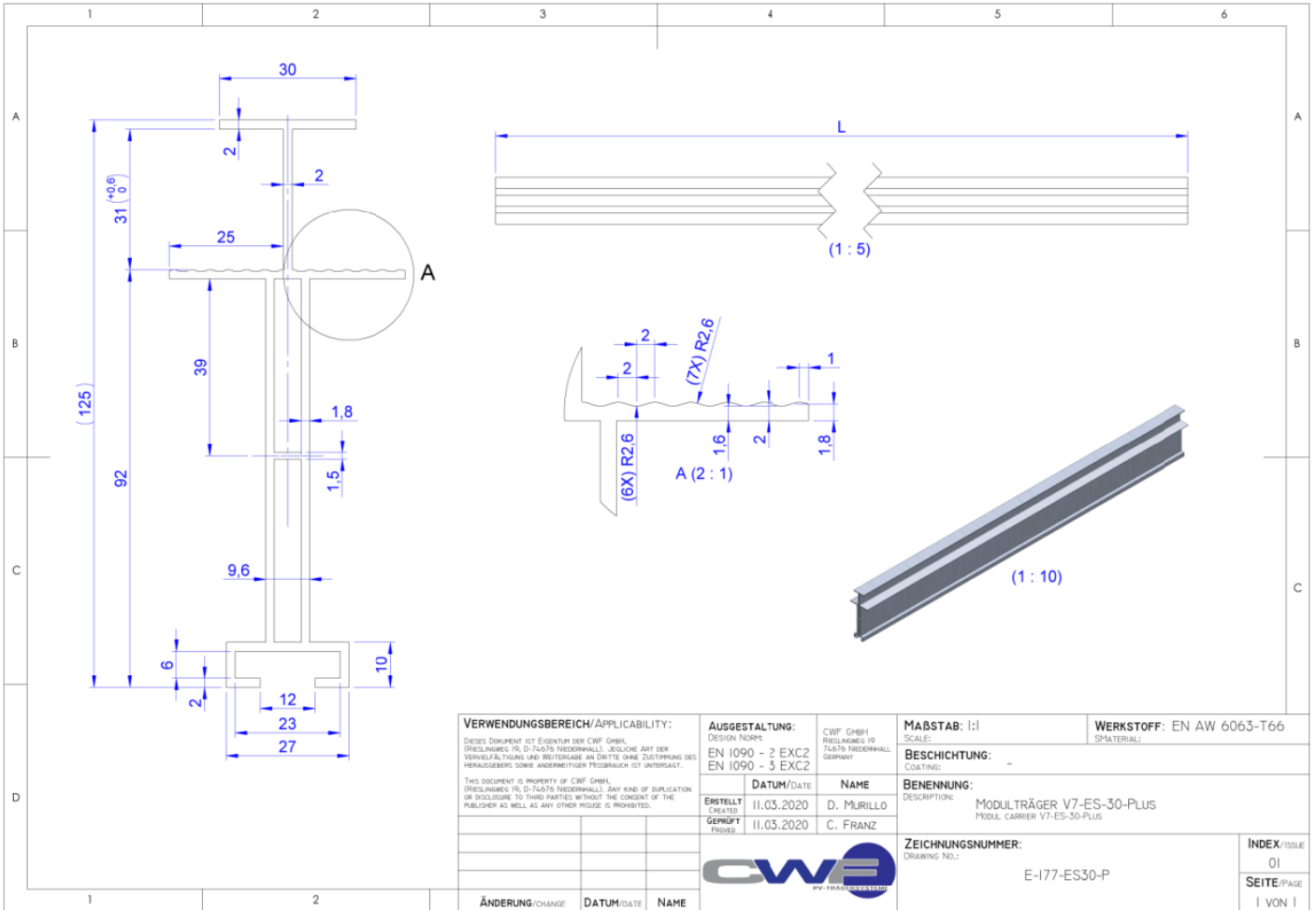


- ✓ 2mm gap between frame and rail.
- ✓ Overhang of frame ≤ 600 mm
- ✓ No stopper, or wedge spacer were used during testing.
- ✓ Suggest customer to use spacer in actual use.

- ✓ 4 spring steel clamps were used.
- ✓ Clamp positioning: A1, A2(middle of clamp to short side)
- ✓ The minimum thickness of clamp is 1mm.

Figure 2

Module type: NT10/72GDF(30mm frame)

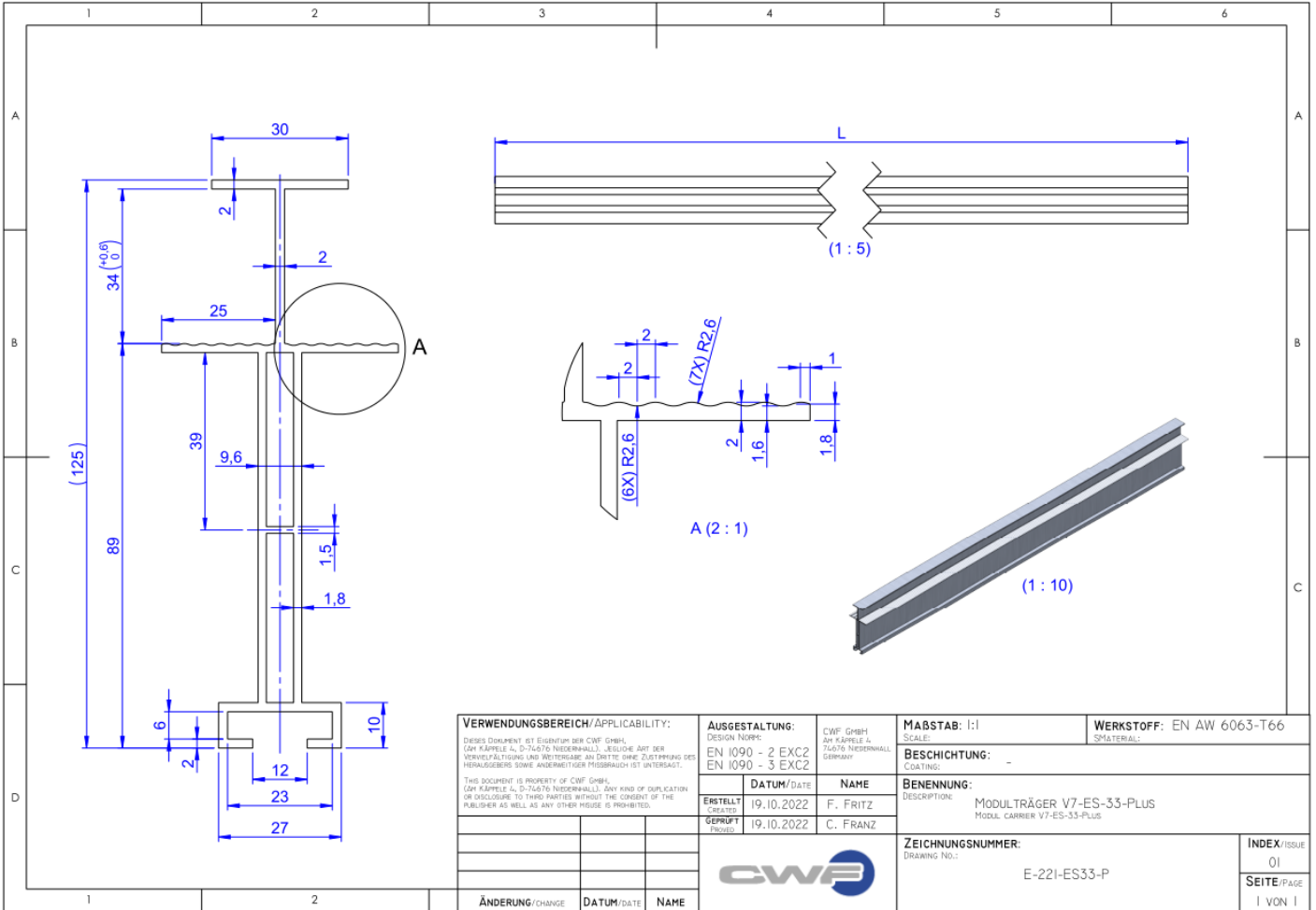


VERWENDUNGSBEREICH/APPLICABILITY: <small>DIESES DOKUMENT IST EIGENTUM DER CWF GMBH. (FREILEGENDES NR. 07/26076 NIEDERHALL). JEGLICHE ART DER Vervielfältigung und weitergabe AN DRITTE OHNE ZUSTIMMUNG DES HERAUSGEBERS SOWIE ANDERWEITIGEN MISSBRAUCH IST UNTERSAGT. THIS DOCUMENT IS PROPERTY OF CWF GMBH. (FREILEGENDES NR. 07/26076 NIEDERHALL). ANY KIND OF DUPLICATION OR DISCLOSURE TO THIRD PARTIES WITHOUT THE CONSENT OF THE PUBLISHER AS WELL AS ANY OTHER MISUSE IS PROHIBITED.</small>	AUSGESTALTUNG: <small>DESIGN NORSE:</small> EN 1090 - 2 EXC2 EN 1090 - 3 EXC2	<small>CWF GMBH FREILEGENDES NR. 07/26076 NIEDERHALL GERMANY</small>	MABSTAB: 1:1 <small>SCALE:</small>	WERKSTOFF: EN AW 6063-T66 <small>SMATERIAL:</small>						
	<table border="1"> <thead> <tr> <th>DATUM/DATE</th> <th>NAME</th> </tr> </thead> <tbody> <tr> <td>11.03.2020</td> <td>D. MURILLO</td> </tr> <tr> <td>11.03.2020</td> <td>C. FRANZ</td> </tr> </tbody> </table>	DATUM/DATE	NAME	11.03.2020	D. MURILLO	11.03.2020	C. FRANZ	BESCHICHTUNG: <small>COATING:</small> -	BENENNUNG: <small>DESCRIPTION:</small>	ZEICHNUNGSNUMMER: <small>DRAWING NO.:</small>
DATUM/DATE	NAME									
11.03.2020	D. MURILLO									
11.03.2020	C. FRANZ									



E-177-ES30-P

Module type: NT12/66GDF(33mm frame)



VERWENDBEREICH/APPLICABILITY: DIESES DOKUMENT IST EIGENTUM DER CWF GMBH. CWF KÄRPELE ALU, D-74676 NIEDERHALL, BEI JEDEM ANSATZ DER Vervielfältigung und Weitergabe an Dritte ohne Zustimmung des Herausgebers sowie anderweitiger Missbrauch ist untersagt. THIS DOCUMENT IS PROPERTY OF CWF GMBH. CWF KÄRPELE ALU, D-74676 NIEDERHALL. ANY KIND OF DUPLICATION OR DISCLOSURE TO THIRD PARTIES WITHOUT THE CONSENT OF THE PUBLISHER AS WELL AS ANY OTHER MISUSE IS PROHIBITED.	AUSGESTALTUNG: DESIGN NO: EN 1090 - 2 EXC2 EN 1090 - 3 EXC2	CWF GMBH AM KÄRPELE ALU 74676 NIEDERHALL GERMANY	MABSTAB: 1:1 SCALE:	WERKSTOFF: EN AW 6063-T66 MATERIAL:
	ERSTELLT/CREATED: 19.10.2022 SERIELL/PRODUCED: 19.10.2022	DATUM/DATE: 19.10.2022 NAME: F. FRITZ C. FRANZ	BESCHICHTUNG: COATING: -	BENENNUNG: DESCRIPTION: MODULTRÄGER V7-ES-33-PLUS MODUL CARRIER V7-ES-33-PLUS
ÄNDERUNG/CHANGE	DATUM/DATE	NAME	ZEICHNUNGSNUMMER: DRAWING NO.: E-221-ES33-P	

